

EDD

NOTES:  
UNLESS OTHERWISE SPECIFIED, TOLERANCES ARE ± .010" [.254mm].

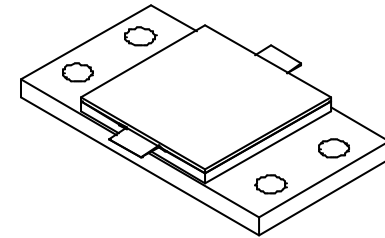
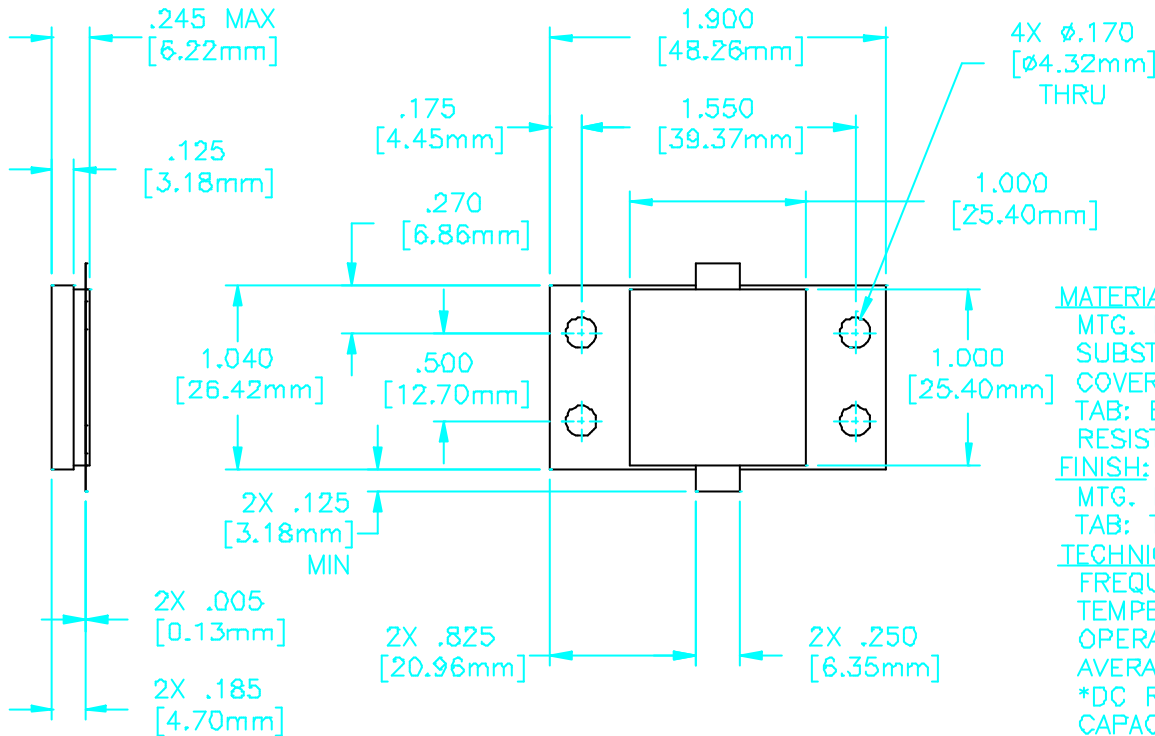
CAD#31-1099

DRAWING NO.:

31-1099-\*

REV.

N/C



**MATERIALS:**


MTG. FLANGE: OFHC 1/4 HD  
SUBSTRATE: BERYLLIUM OXIDE  
COVER: ALUMINA  
TAB: BERYLLIUM COPPER PER ASTM B194  
RESISTIVE FILM: NICHROME

**FINISH:**

MTG. FLANGE: NICKEL OVER COPPER  
TAB: TIN/LEAD PER MIL-T-10727

**TECHNICAL: (RESISTOR)**

FREQUENCY RANGE (GHz): DC-0.5  
TEMPERATURE COEFFICIENT: ± 200 PPM/°C MAX  
OPERATING TEMPERATURE (°C): -55° TO +150°  
AVERAGE POWER (WATTS): 800  
\*DC RESISTANCE: 7-175 OHMS  
CAPACITANCE (pF): 2

				ECN# 01087	APVD: DA	DATE 12/19/01	REFERENCE	 8851 OLD KANSAS AVE. STUART, FL. 34997 561-286-9300			
				UNLESS OTHERWISE SPECIFIED				MATERIAL	<b>RESISTOR, FLANGE MOUNT, 800 WATT</b>		
				1. DO NOT SCALE DRAWING 2. DIMENSIONS ARE IN INCHES 3. DIMENSIONS ARE AFTER PLATING 4. CORNERS, EDGES AND FILLETS: R MAX 5. SURFACE ROUGHNESS: 6. REMOVE ALL BURRS							
				TOLERANCES				FINISH			
				.X ±							
				.XX ±							
				.XXX ±							
				ANGLES X° ±							
				THE INFORMATION CONTAINED HEREIN IS (S) CONSIDERED PROPRIETARY TO FLORIDA RF LABS INC. (S) PROTECTED BY COPYRIGHT OWNED BY FLORIDA RF LABS INC. (S) CONSIDERED A "WORK FOR HIRE" UNDER COPYRIGHT LAW (S) PROTECTED BY TRADE SECRET LAWS WHICH MAKE ILLEGAL THE MISAPPROPRIATION OF THIS INFORMATION; AND (S) IS TO BE USED SOLELY FOR THE PURPOSE WHICH IT IS SUPPLIED. THIS INFORMATION SHALL NOT BE DISCLOSED IN WHOLE OR IN PART, TO ANY PARTY, FOR ANY REASON WITHOUT THE EXPRESS WRITTEN CONSENT OF A QUALIFIED EXECUTIVE OF FLORIDA RF LABS INC.			SCALE 1/1	CAGE CODE ID NO. 2Y194	SIZE A	DRAWING NO.: 31-1099-*	REV. N/C
REV.	DESCRIPTION	DRAWN	APVD.				MFG:	CHKD.:	DRAWN: BLP 11/16/01	SHEET OF	