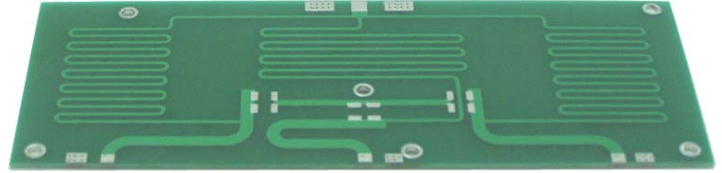


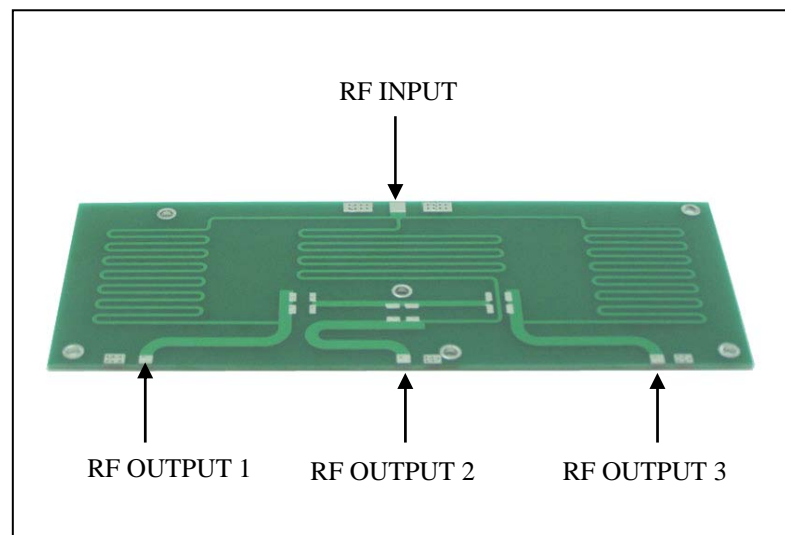
3 ways FM Splitter

The **3SP-FM** designed for FM radio transmitter.
For two way splitter.

- 87.5 – 108 MHz
- 3 ways splitter
- FR4 laminate 1.6 mm thickness
- Input/Output 50 ohm
- Power rating: 50 Watt
- Accepts for resistor 50 ohm x 3 set
- Weight 0.05 kg.



Electrical Connection



Dimensions (L x W x H) : 64 x 165 x 2 mm